



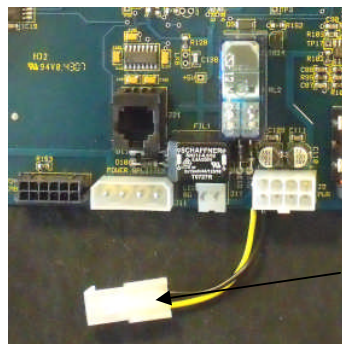
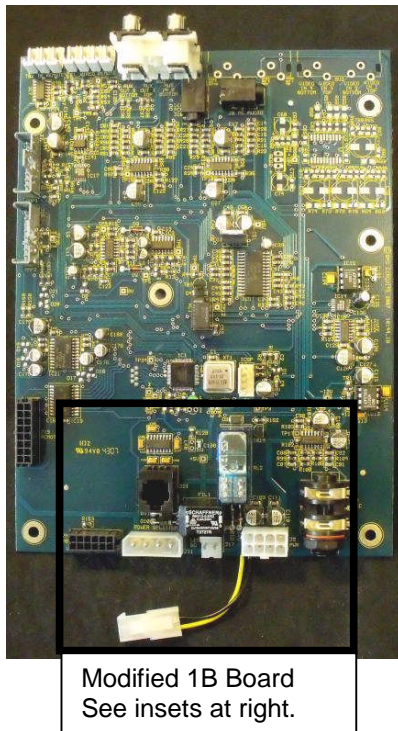
## Technical Advisory

January 26, 2010

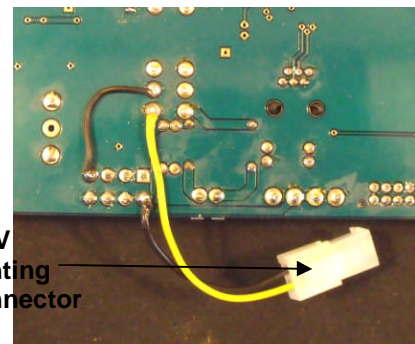
Subj: U.S. Icon Main Board (Audio Board) P/N 10144\_1B

Latest production US Icon models have a new LED light system. The new system operates on 12VDC, whereas the original lighting used 5VDC. This change made it necessary to add a new lighting connector on the Main Board.

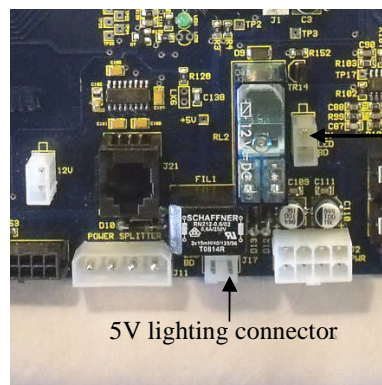
In order to keep all Main Boards compatible with all Icon models, effective immediately, 10144\_1B circuit boards that are serviced at the factory will be modified to include a 12VDC lighting connector. Additionally, a new Main Board, P/N 10144\_1C is being phased into production. For service purposes, modified 1B and all 1C boards are forward and backward compatible. Below are details of the change. Please take note that it is not necessary to change or modify any Main Boards currently in operation.



Modified 1B Board w/ new lighting connector



Back of modified board.



1C Board with new lighting connector

Contact NSM Factory Service M-F 9:00am to 5:00pm at 630-279-2244 or email [EdGlapinski@nsmmusic.com](mailto:EdGlapinski@nsmmusic.com) with any questions. Visit us on the web at <http://www.nsmmusicinc.com>